

इंटरनेट

मानक

### Disclosure to Promote the Right To Information

Whereas the Parliament of India has set out to provide a practical regime of right to information for citizens to secure access to information under the control of public authorities, in order to promote transparency and accountability in the working of every public authority, and whereas the attached publication of the Bureau of Indian Standards is of particular interest to the public, particularly disadvantaged communities and those engaged in the pursuit of education and knowledge, the attached public safety standard is made available to promote the timely dissemination of this information in an accurate manner to the public.

“जानने का अधिकार, जीने का अधिकार”

Mazdoor Kisan Shakti Sangathan

“The Right to Information, The Right to Live”

“पुराने को छोड़ नये के तरफ”

Jawaharlal Nehru

“Step Out From the Old to the New”

IS 11777-14 (1987): Circular Connectors for Radio and Associated Sound Equipment for Frequencies Below 3 MHz Including DC, Part 14: Free Eight-Pin Connector for Microphone and Other Various Applications, Type 11777 IS-13 [LITD 3: Electromechanical Components and Mechanical Structures for Electronic Equipment]



“ज्ञान से एक नये भारत का निर्माण”

Satyanarayan Gangaram Pitroda

“Invent a New India Using Knowledge”



“ज्ञान एक ऐसा खजाना है जो कभी चुराया नहीं जा सकता है”

Bhartrhari—Nitiśatakam

“Knowledge is such a treasure which cannot be stolen”



BLANK PAGE



## Indian Standard

# SPECIFICATION FOR CIRCULAR CONNECTORS FOR RADIO AND ASSOCIATED SOUND EQUIPMENT FOR FREQUENCIES BELOW 3 MHz INCLUDING DC

## PART 14 FREE EIGHT-PIN CONNECTOR FOR MICROPHONE AND OTHER VARIOUS APPLICATIONS, TYPE 11777 IS-13

**0. General** — This standard shall be read in conjunction with IS : 11777 ( Part 1 )-1986 'Specification for circular connectors for radio and associated equipment for frequencies below 3 MHz including dc : Part 1 Test schedule and requirements'.

**1. Type Designation** — See 4 of IS : 11777 ( Part 1 )-1986.

**2. Outline and Dimensions** — The outline and dimensions shall be according to Fig. 1 and Table 1.

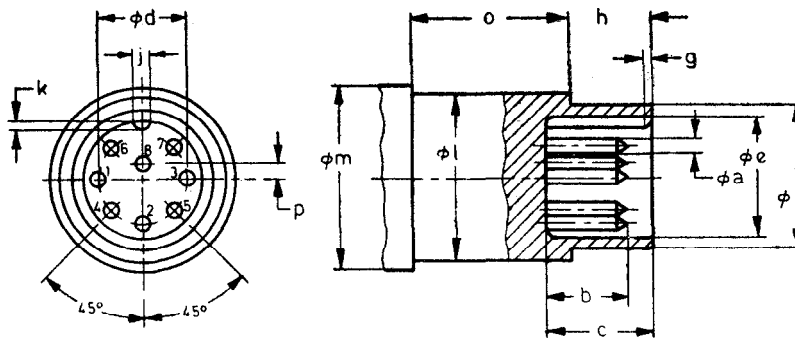


FIG. 1 OUTLINE AND DIMENSIONS

**TABLE 1 DIMENSIONS**

All dimensions in millimetres.

Reference	Max	Min
Dia a	1.50	1.46
b	8.5	7.5
c	9.3	8.8
Dia d	7.05	6.95
Dia e	12.4	12.1
Dia f	13.6	13.1
g	1	—
h	9	8.5
j	2.4	2.2
k	1.5	1.3
Dia l	16.5	—
Dia m	18	—
o	—	15
p	0.75	0.65

**3. Climatic Category** — See 3 of IS : 11777 ( Part 1 )-1986.

**4. Contact Arrangements and Connections** — See 5 of IS : 11777 ( Part 1 )-1986.

### 5. Electrical Ratings

**5.1** The ratings shall be as given below:

- a) Voltage rating: 34 V ac or dc, and
- b) Current rating: 2 A ac or dc.

Adopted 29 June 1987

© March 1988, BIS

Gr 1

**IS : 11777 ( Part 14 ) - 1987**

**6. Materials and Workmanship — See 7 of IS : 11777 ( Part 1 )-1986.**

**7. Tests — See 9 of IS : 11777 ( Part 1 )-1986.**

**8. Marking — See 8 of IS : 11777 ( Part 1 )-1986.**

**EXPLANATORY NOTE**

This standard is based on IEC Pub 130-9B (1975) Second supplement to Publication 130-9 (1971) 'Connectors for frequencies below 3 MHz: Part 9 Circular connectors for radio and associated sound equipment'. The type of connector covered in this standard is equivalent to Type 130-9 IEC-20.